



THE REVOLUTIONARY  
NEW SIGN SYSTEM

# *THE WINDS OF CHANGE*

Introducing the 21st century outdoor sign system that keeps your message flying high, regardless of wind, water and the elements, without tearing, flapping, cracking or entangling with the pole. The **WINDBOSS 360** has an advanced, patented slider system which turns effortlessly with the wind and has been field tested for wind speeds of up to 100 km/hr. It can be used with rigid or soft faces.

Quick fastening, the **WINDBOSS 360** fits together like simple puzzle pieces to form one strong, stable unit around a standard pole. The faces slide into one pin locking track system for speedy changeouts. The **WINDBOSS 360** has been field tested for 5 years at key locations in Ontario. Tough, durable and weather-resistant, the **WINDBOSS 360** has only one moving part, so it's absolutely maintenance-free and comes with a 5-year warranty!

# *BLOWS AWAY THE COMPETITION!*

For its high visibility and high impact in virtually any kind of weather, the **WINDBOSS 360** stands head and shoulders above the competition. While competitors can only fly traditional flags with no ability to fly rigid faces, the **WINDBOSS 360** can fly rigid faces up to 40 lbs, providing the option for 2D graphics and a dimensional look. The **WINDBOSS 360** can customize faces, flags and parts to any colour and size matching client's preference. 100% reusable, the **WINDBOSS 360** can be cost-effectively used for different messages at different times.



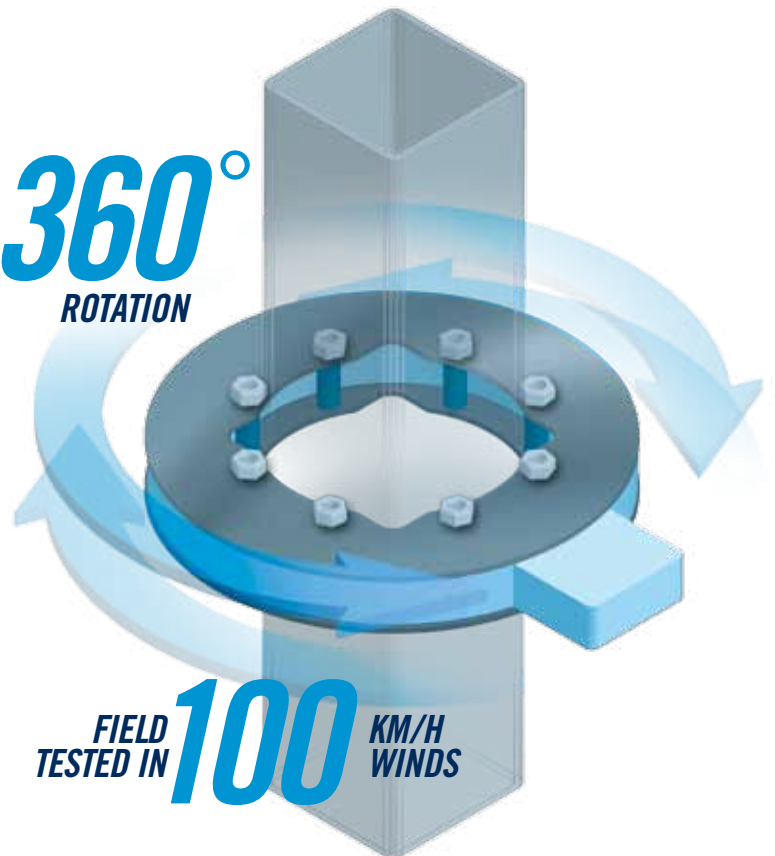
# CORNERS THE MARKET

- *USEFUL IN ANY OUTDOOR ADVERTISING ENVIRONMENT*
- *AIRPORTS, CAR LOTS, FAIRGROUNDS, MALLS, THEATRES AND VENUES*
- *ARENA & STADIUM SIGNAGE FOR GAME DAY OR TEAM PROMOTIONS*
- *RESTAURANTS AND DRIVE-THRU'S*
- *BUILDERS, DEVELOPERS, BUILDING SITES AND SALES CENTRES*
- *CITIES AND MUNICIPAL DEPARTMENTS*

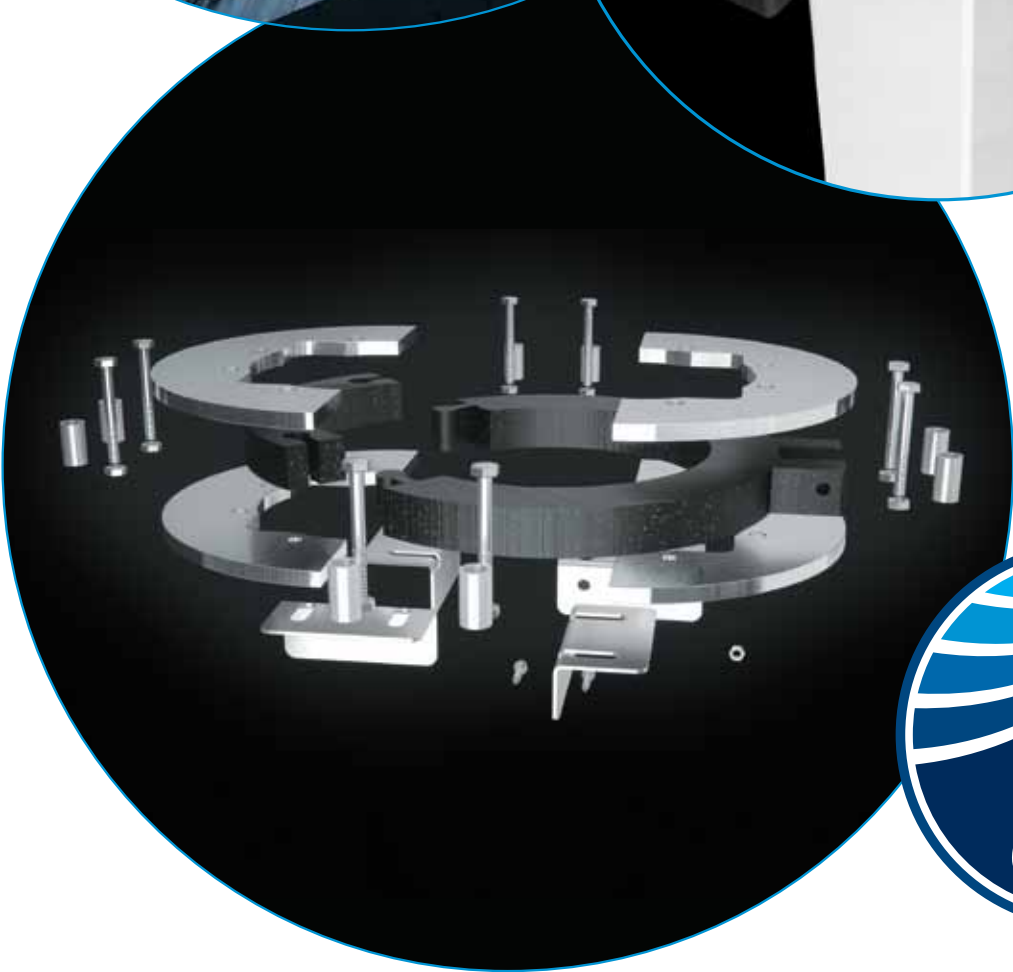
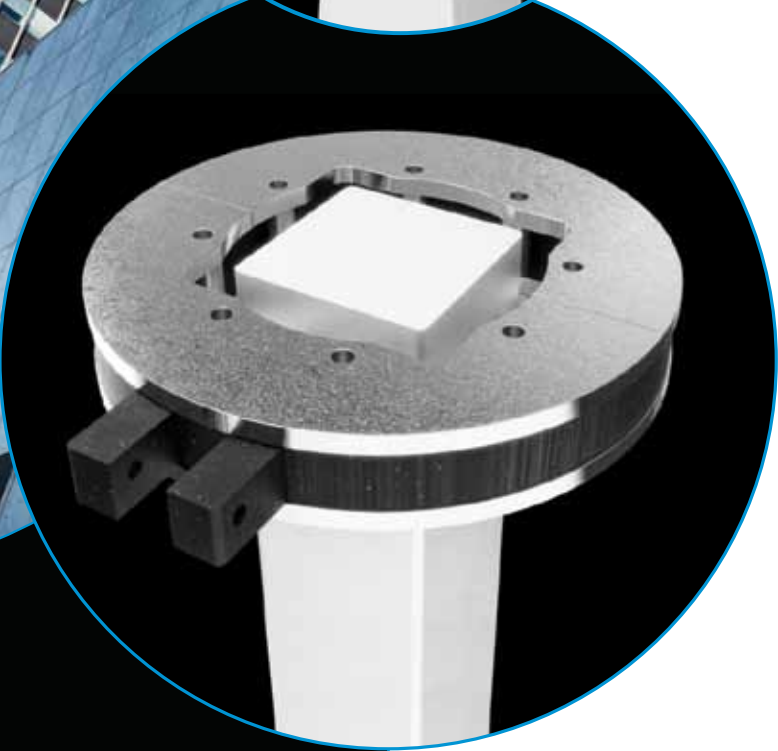
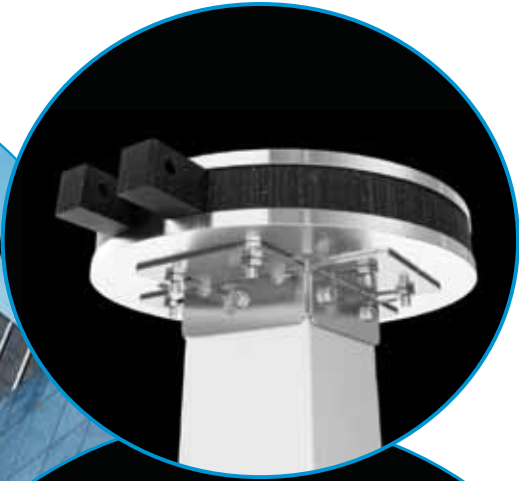


**WITH ITS PATENTED 360° MOVEMENT, THE WINDBOSS 360 OFFERS LITTLE WIND-RESISTANCE, STANDS UP TO VIRTUALLY ANY WEATHER CONDITION, AND REQUIRES ZERO MAINTENANCE. ►**

**360°**  
ROTATION



FIELD TESTED IN **100** KM/H WINDS



# *THE 360° SOLUTION!*

## *SIZES AND SPECIFICATIONS*

- *AVAILABLE SIZES TO FIT POLES: 2 3/16" UP TO 9" DIAMETER*
- *CAN SUPPORT UP TO 40 LBS*
- *COMES STANDARD AS BLACK BUT CAN BE CUSTOMIZED TO MATCH ANY COLOUR/ PATTERN*
- *SIGN COMPANIES HAVE THE OPTION TO CHANGE COLOUR, IF NEEDED, AFTER PURCHASE*
- *CAN FLY UP TO 4'X8' RIGID FACES AND 4'X16' TRADITIONAL FLAGS*
- *WILL NOT RUST*
- *DURABLE POLYETHYLENE STAINLESS STEEL/ALUMINUM BODY*
- *CAN WORK WITH EXISTING OR NEW POLES*

**0** MAINTENANCE **5** YEAR WARRANTY

## *TAKE IT FOR A SPIN!*

### **FOR CUSTOMER ENQUIRIES:**

Canadian Distributor:

P&A Plastics Inc.

150 Main Street East, Hamilton, Ontario L8N 3W9

*Tel:* 905.547.1675 *Toll Free:* 1.800.263.6559

*Email:* [signsupplies@paplastics.com](mailto:signsupplies@paplastics.com)

[windboss360.com](http://windboss360.com)

